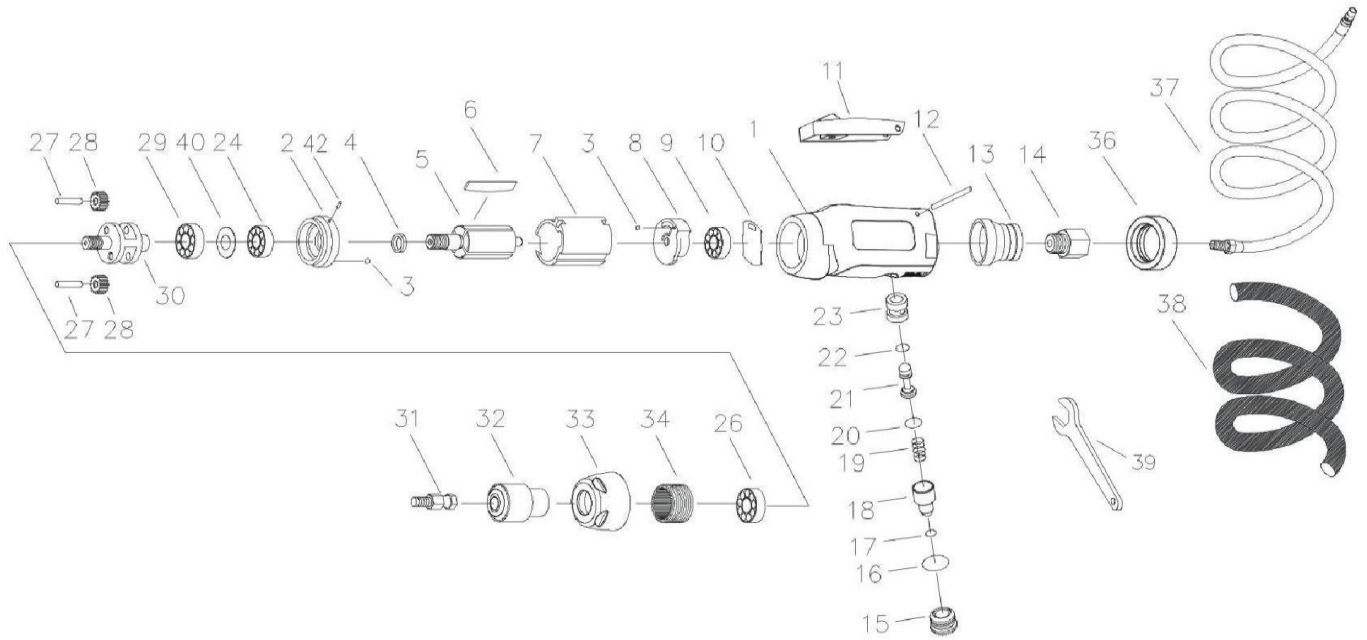


Model No.:

Air Low-Speed Tire Buffer CAT-4206LP



Model No.:

Air Low-Speed Tire Buffer CAT-4206LP



| MODEL CAT-4206LP Air Low-Speed Tire Buffer | | | | | |
|---|-----------|--------------------|-------|------------|------------------|
| INDEX | PART NO. | DESCRIPTION | INDEX | PART NO. | DESCRIPTION |
| 1 | 2202P01 | MOTOR HOUSING | 21 | 2202P21 | VALVE STEM |
| | 2202P34 | RETAINER | 22 | SO014 | O-RING |
| 2 | 2202P02 | FRONT END PLATE | 23 | 2202D27 | VALVE BUSHING |
| 3 | AA06-1 | STEEL BALL | 24 | CA6000ZZ-2 | BALL BEARING |
| 4 | 2202D19 | BEARING SPACER | 26 | CA6000ZZ-2 | BALL BEARING |
| 5 | 4206LP05 | ROTOR | 27 | 5201W24 | PIN |
| 6 | 2202D17 | ROTOR BLADE | 28 | 4206LP28 | PLANET GEAR |
| 7 | 2202P07 | CYLINDER | 29 | CA6601ZZ-1 | BALL BEARING |
| 8 | 2202P08 | REAR END PLATE | 30 | 4206LP30 | GEAR CASE |
| 9 | CA626ZZ-2 | BALL BEARING | 31 | 4206LP31 | ADAPTER |
| 10 | 2202P10 | GASKET | 32 | 4206LP32S | CHUCK KEY |
| 11 | 2202P11S | THROTTLE LEVER | | 4206LP32-1 | WASHER |
| | 2202P11-1 | THROTTLE LEVER | | AA06-12 | STEEL BALL |
| | 2202P11-2 | FIXED LUMP | | 4206LP32-3 | SPRING |
| | 2202P11-3 | BUTTON | | 4206LP32-4 | THREAD RING GEAR |
| | 2202P11-4 | SPRING | | 4206LP32-5 | SPINDLE |
| | SH027 | SCREW | | 4206LP32-6 | BALL RETAINER |
| 12 | SP011 | LEVER PIN | 33 | 4206LP33 | CLAMP NUT |
| 13 | 2202P13 | EXHAUST DEFLECTOR | 34 | 4206LP34 | INTERNAL GEAR |
| 14 | 2202P14 | AIR INLET | 36 | 2202P31 | CLAMPING RING |
| 15 | 2202D01 | VALVE SCREW | 37 | 2202P32 | HOSE |
| 16 | SO013 | O-RING | 38 | 2202P33 | MUFFLE HOSE |
| 17 | SO010 | O-RING | 39 | 2202P36 | SPANNER WRENCH |
| 18 | 2202D04 | AIR REGULATOR STEM | 40 | 4206LP40 | GASKET |
| 19 | 2202D05 | SPRING | 42 | SP003 | PIN |
| 20 | SO008 | O-RING | | | |