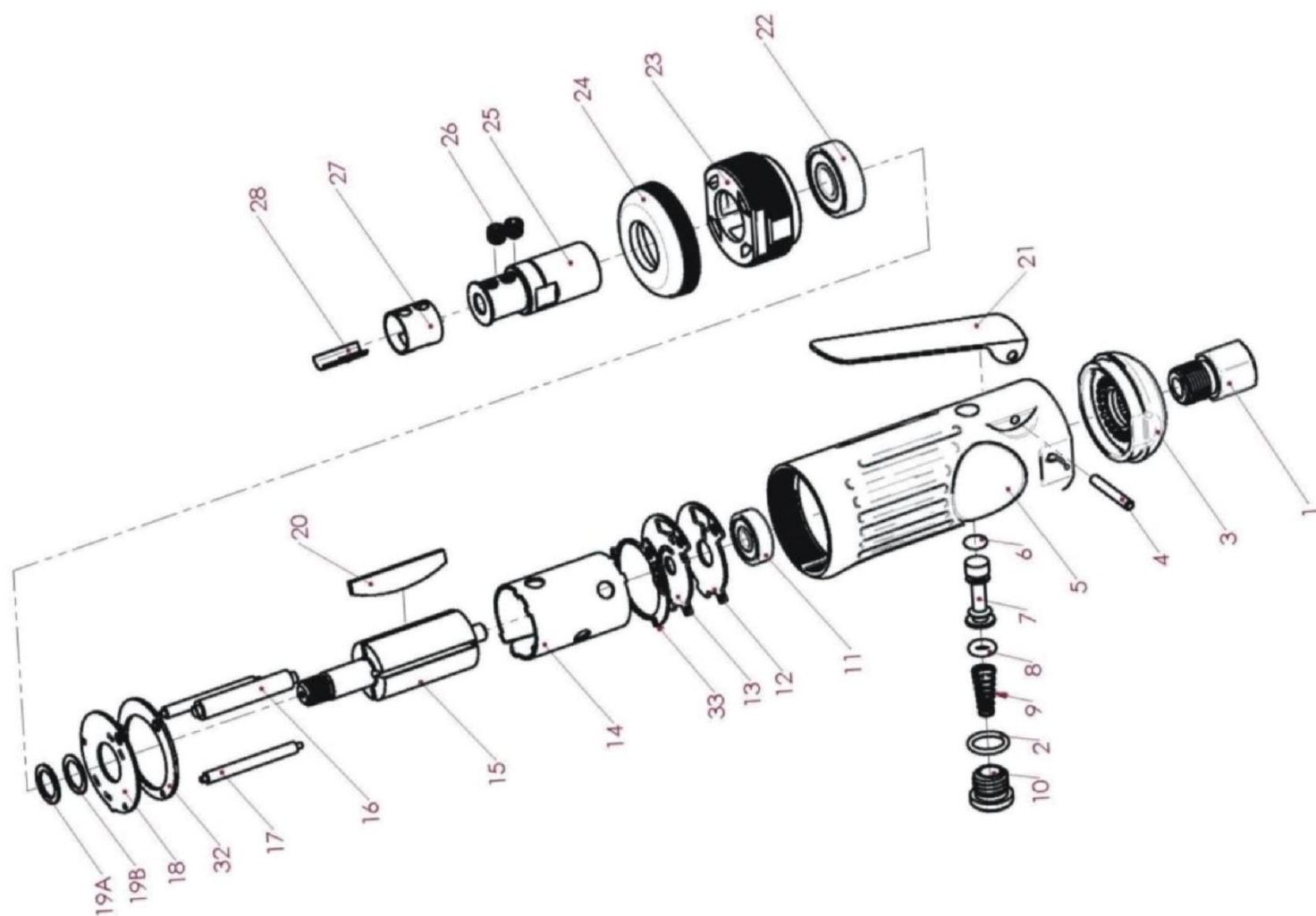


Model No.:

# Air Die Grinder ADG-3001AB / ADG-3001AC



Model No.:

Air Die Grinder ADG-3001AB /  
ADG-3001AC



**MODEL ADG-3001AB/ADG-3001AC Air Die Grinder**

INDEX	PART NO.	DESCRIPTION	INDEX	PART NO.	DESCRIPTION
1	BP51113001	INLET	16	511A001600	PIN
2	9607000000	O-RING (P10.82*1.78)	17	511A001700	PIN
3A	511A0A0300	EXHAUST	18	511A001800	FRONT PLATE
4	C102001600	PIN (3.3*24L)	19A	511A0A1900	A WASHER
5	511A000500	HOUSING	19B	511A0B1900	B WASHER
6	511A000600	O-RING (P4.47*1.78)	20	511A002000	BLADE
7	511A000700	THROTTLE VALVE	21	511A002100	TRIGGER
8	511A000800	O-RING (P4.42*2.62)	22	0422000000	BEARING (6000)
9	BP51107001	SPRING	23	BP51123001	NUT
10	511A001000	SCREW	24	511A002400	CAP
11	3527000000	BEARING (626)	25	BP51123001	SPINDLE
12	511A001200	PLATE	26	BP51127001	COLLET
13	511A001300	MIDDLE PLATE	27	BP51124021	COLLET NUT
14	511A001400	CYLINDER		BP51132002	WRENCH-1
15	511A001500	ROTOR		BP51132003	WRENCH-2